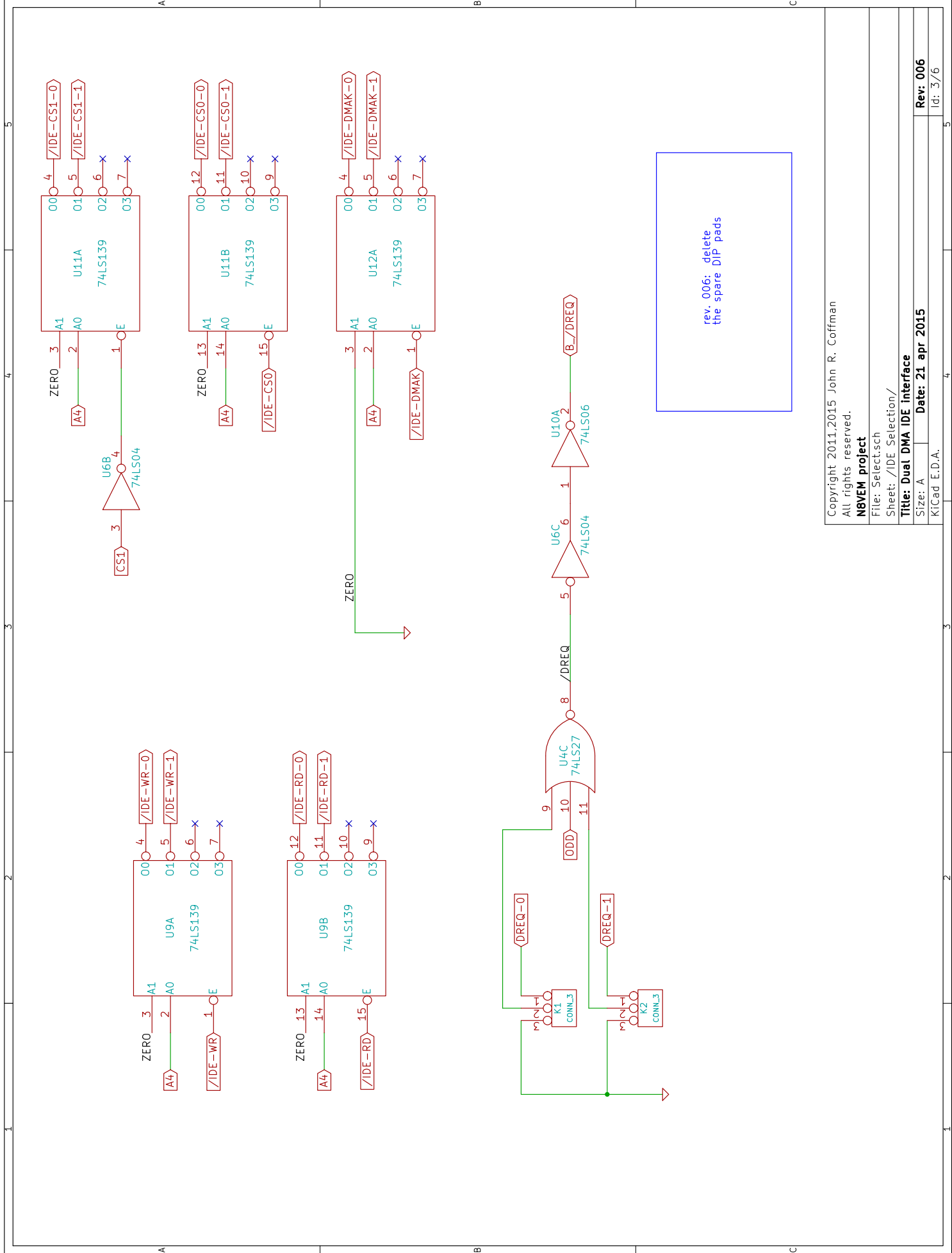
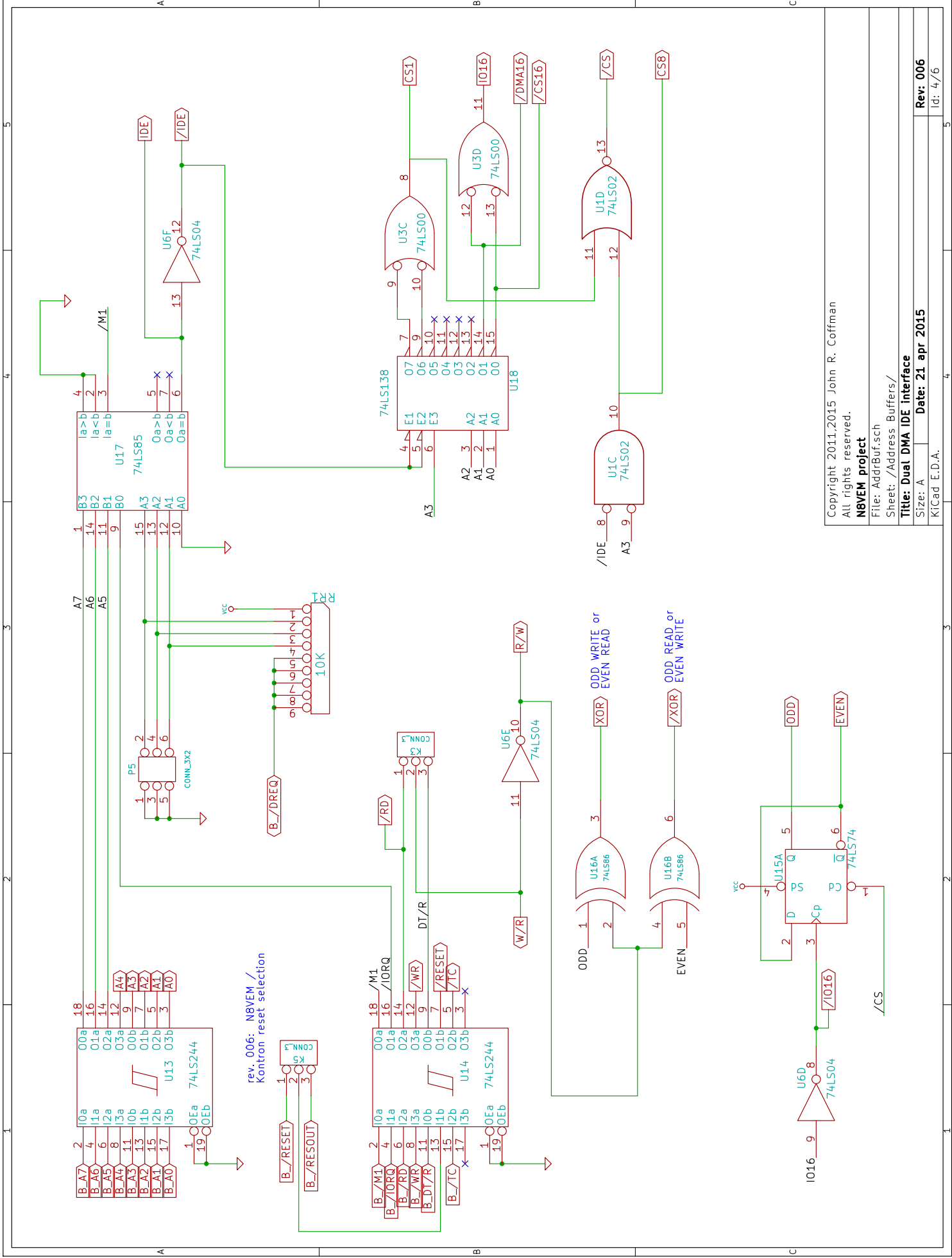


Copyright 2011,2015 John R. Coffman  
 All rights reserved.  
**N8VEM project**  
 File: dual DMA IDE.sch  
 Sheet: /  
**Title: Dual DMA IDE interface**  
 Size: A      **Date: 21 apr 2015**  
 KiCad E.D.A.





rev. 006: delete the spare DIP pads



rev. 006: N8VEM /  
Kontron reset selection

Copyright 2011,2015 John R. Coffman  
 All rights reserved.  
**N8VEM project**  
 File: AddrBuf.sch  
 Sheet: /Address Buffers/  
**Title: Dual DMA IDE interface**  
 Size: A  
**Date: 21 apr 2015**  
 KiCad E.D.A.



