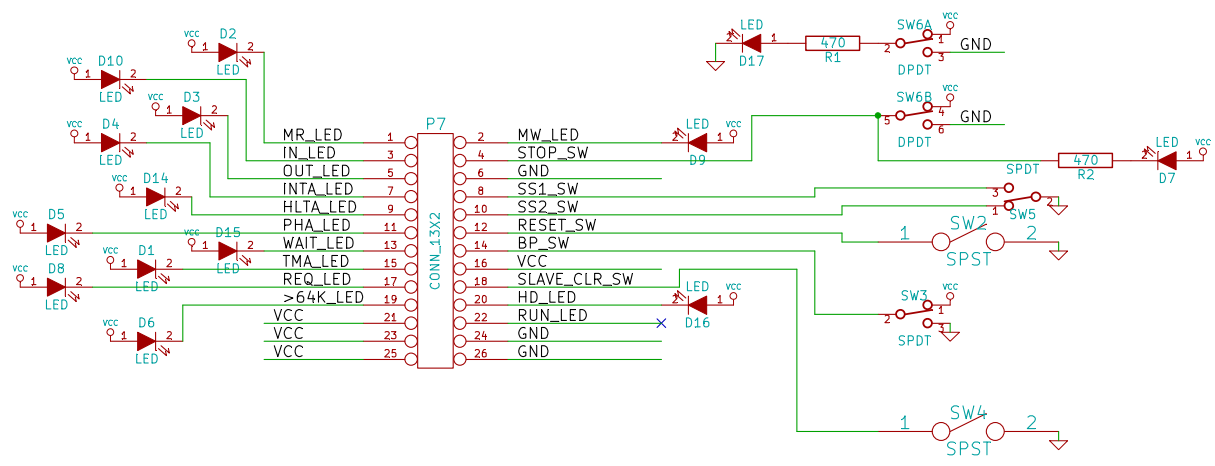
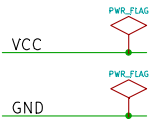


DISPLAY MEZZANINE MOUNTING HOLES



File: S100 FP display HP5082.sch		
Sheet: /		
Title:		
Size: A4	Date: 20 jun 2010	Rev:
KiCad E.D.A. eeschema (2010-04-19 BZR 23xx)-unstable		Id: 1/1