

## PDP-11/HACK

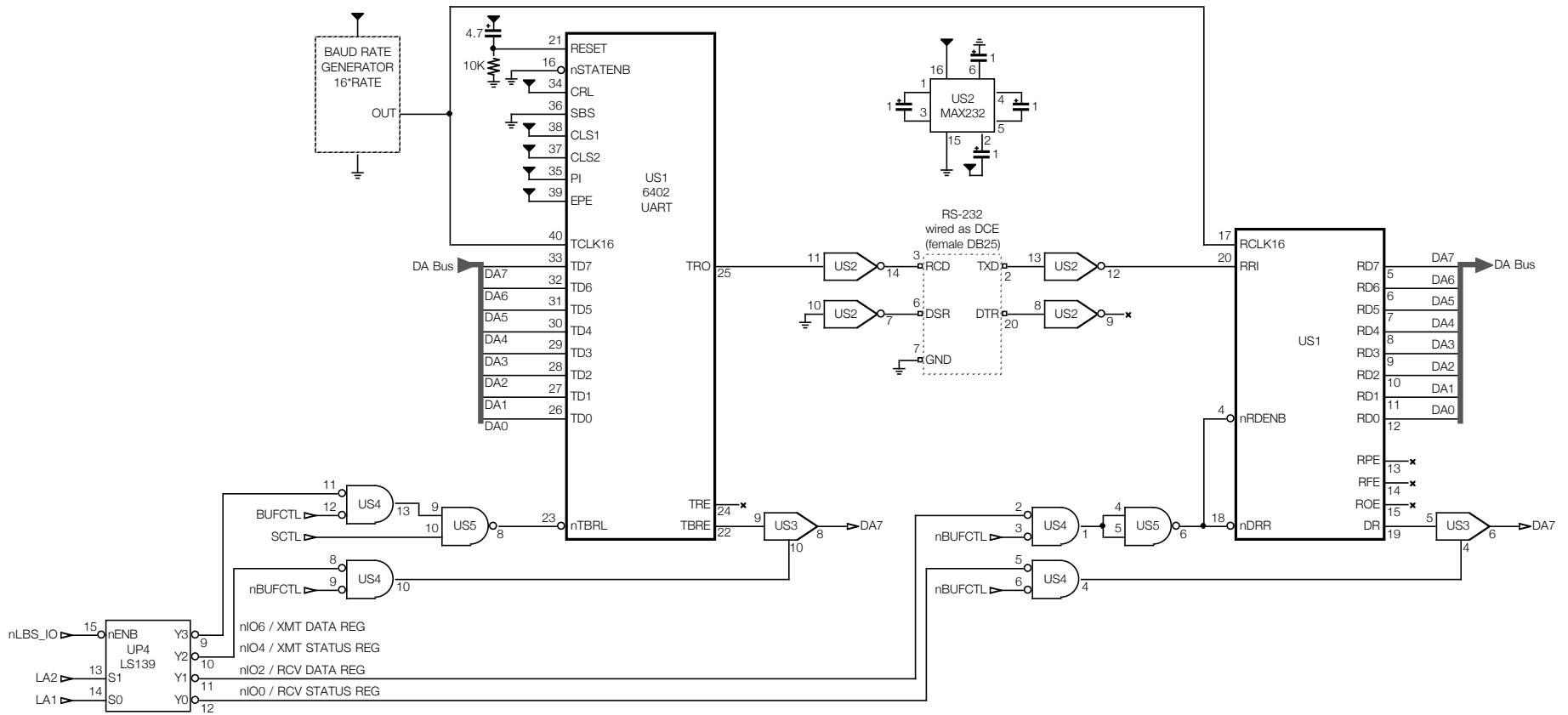
Section: CPU & Memory

Page: 1

Rendition: 2014 May 23

## NOTES

- 2014 May: Design & drawing / bhilpert.



ID	TYPE	VCC	GND
2	US3		
1	UP1	DCJ11	*
	UP2	74LS273	20 10
	UP3	74LS273	20 10
	UP4	74LS139	16 8
	UP5	74LS04	14 7
9	UP5		
	US1	6402	1 3
	US2	MAX232	* *
11	UP5		
	US3	74LS126	14 7
	US4	74LS02	14 7
	US5	74LS00	14 7
13			
12	US5		
	UM1	6264	28 14
	UM2	6264	28 14