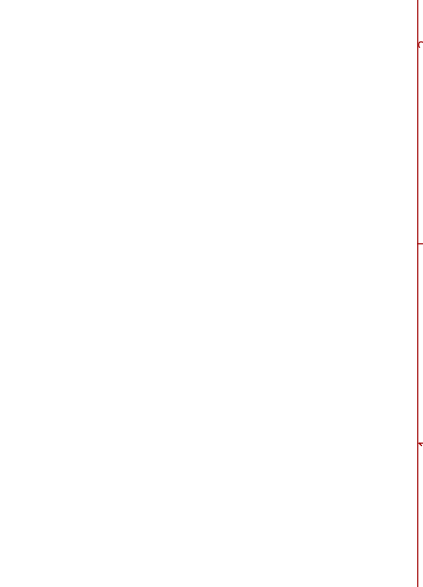
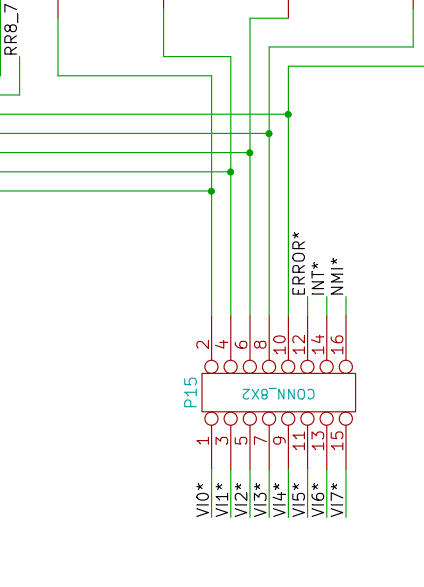
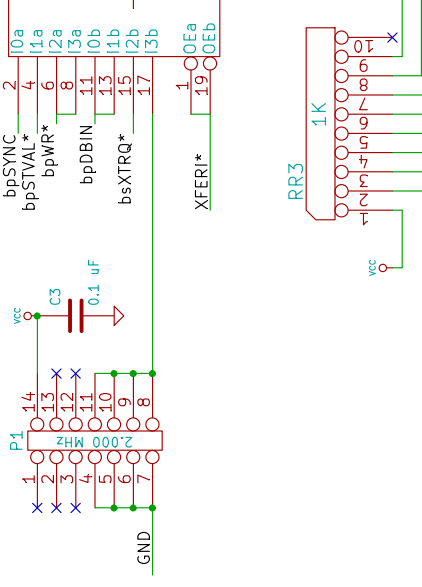
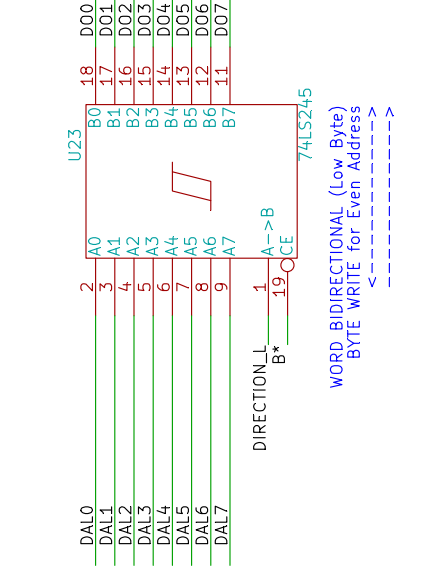
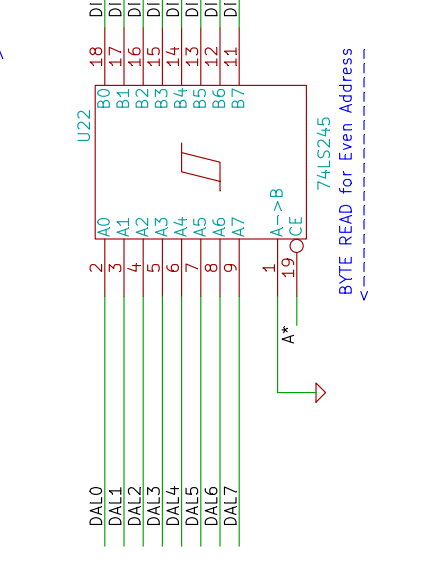
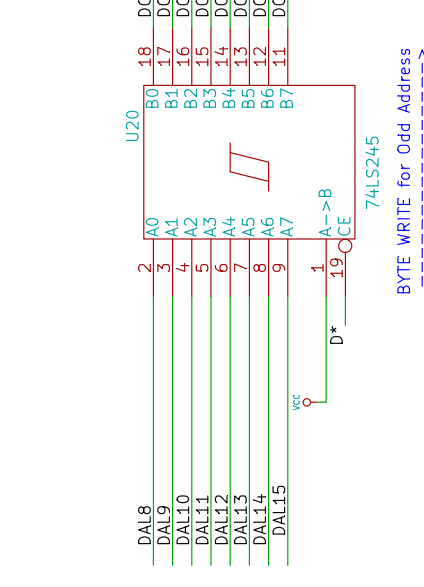
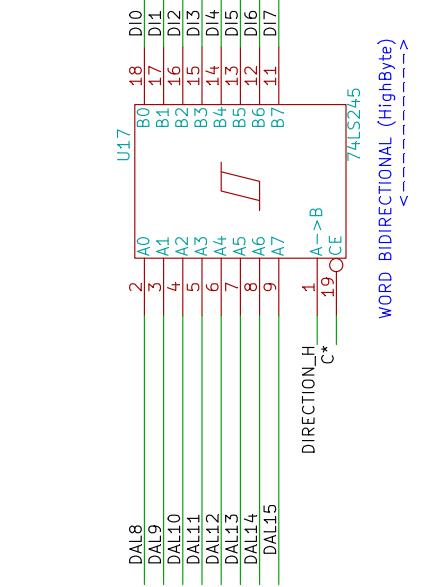
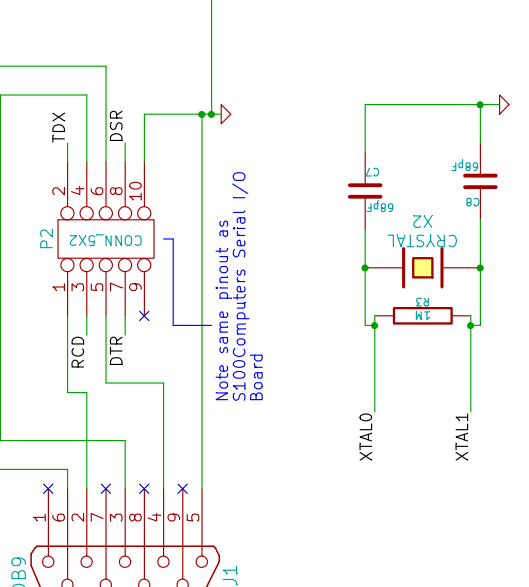
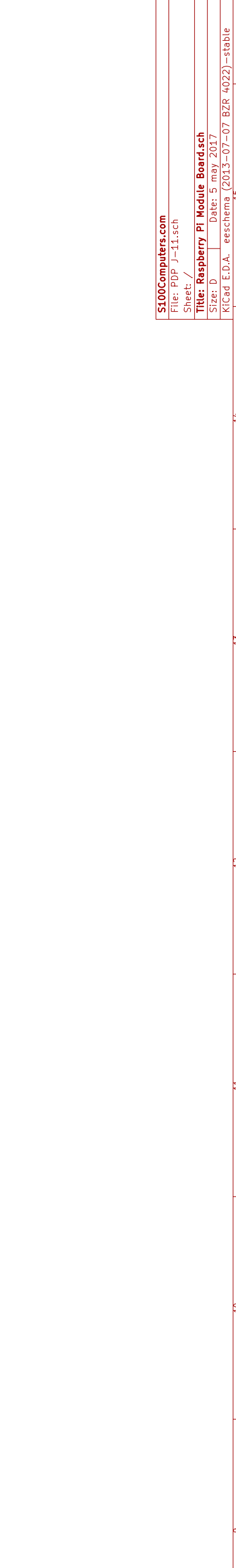
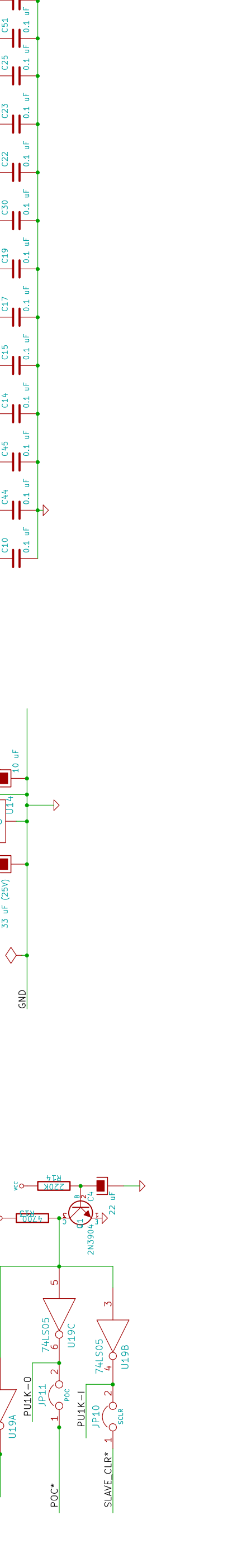
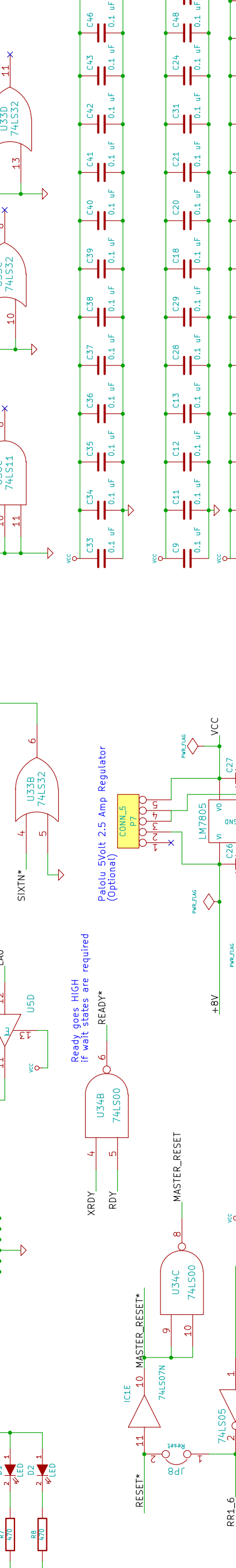
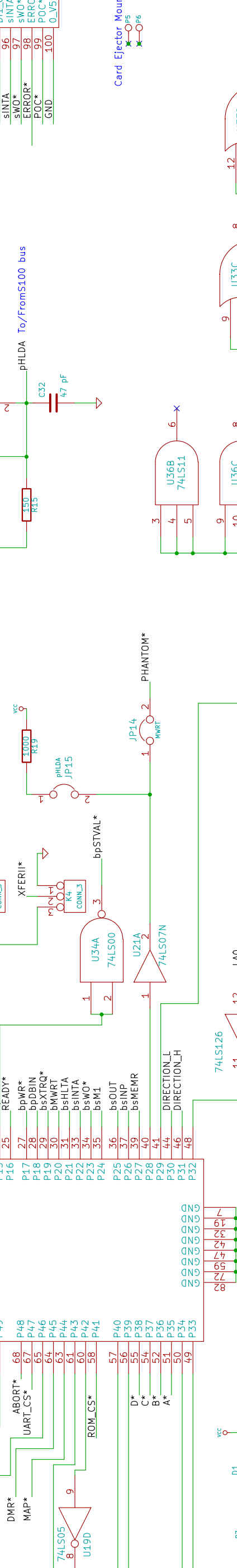
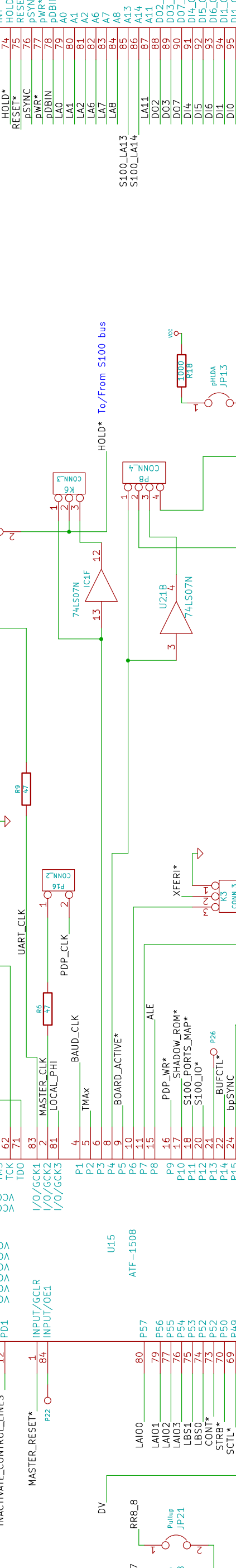
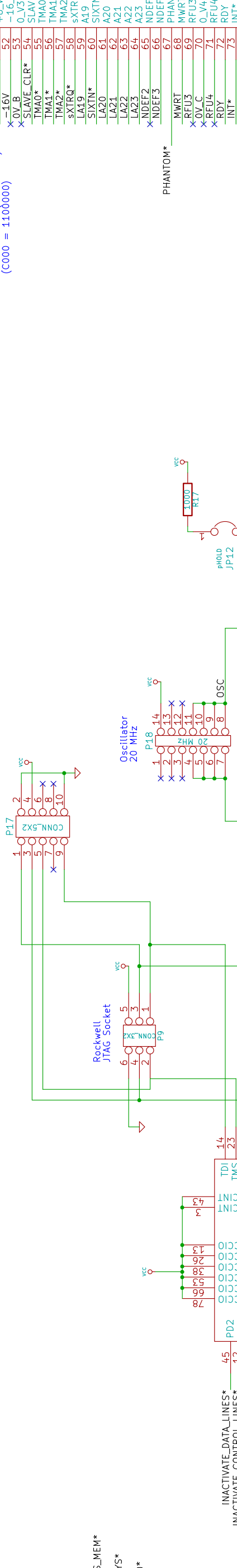
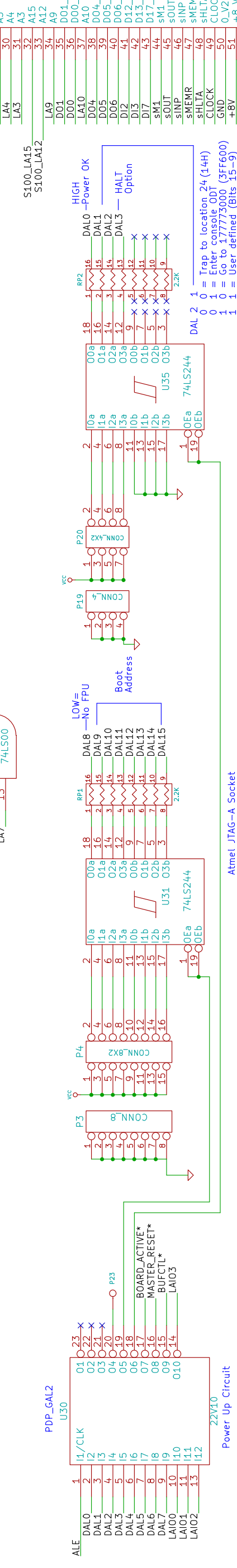
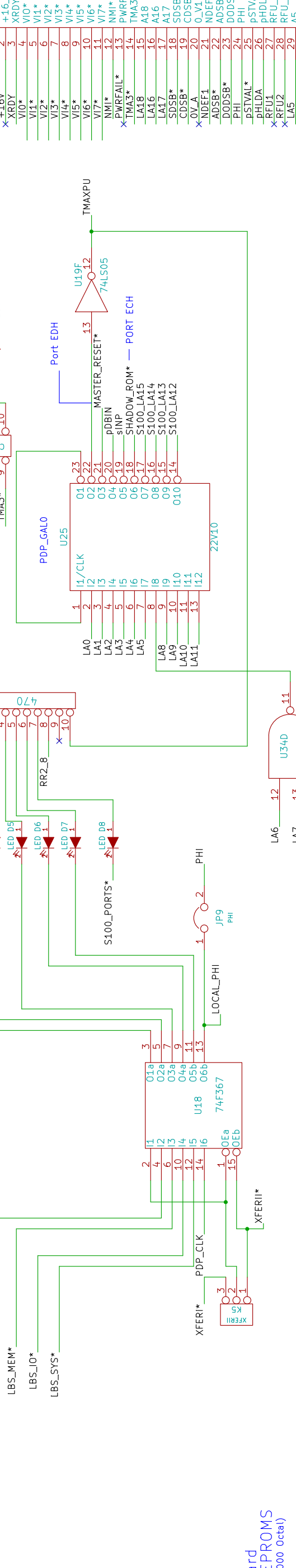


9600 Baud, 8 Data bits, 2 Stop, NP  
(With USB Adaptor, no hardware control)



Final Board  
(2000K - 140000 DCMH)



374C0015

