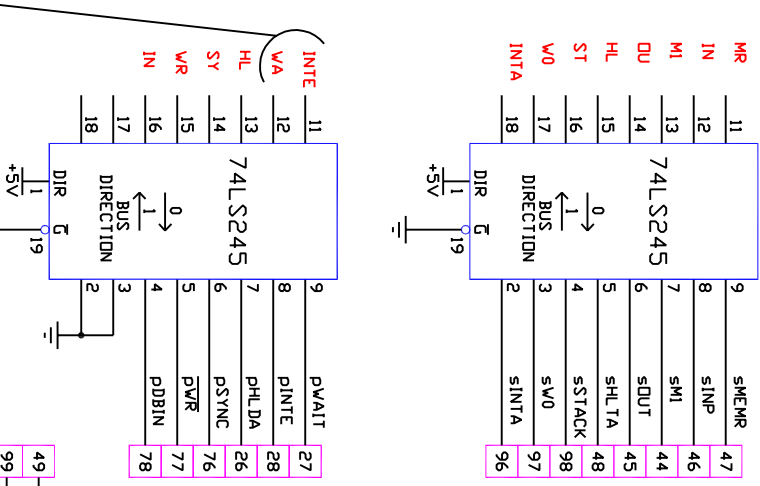
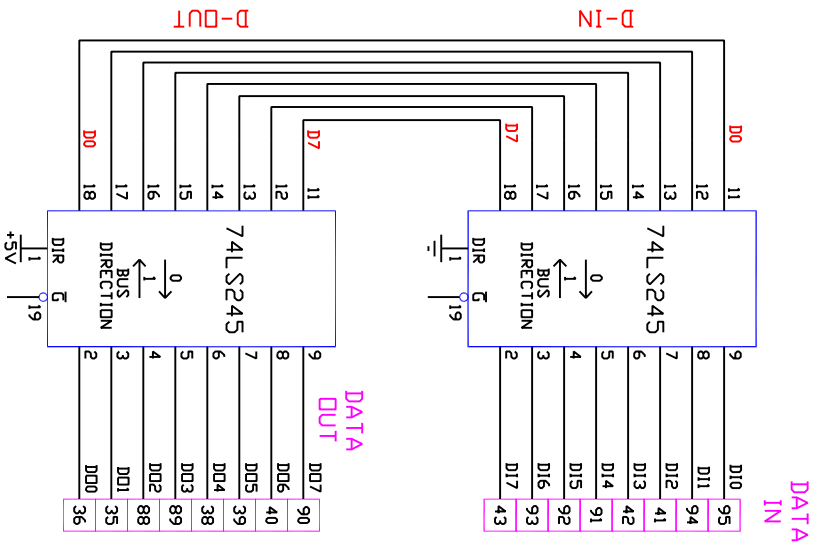
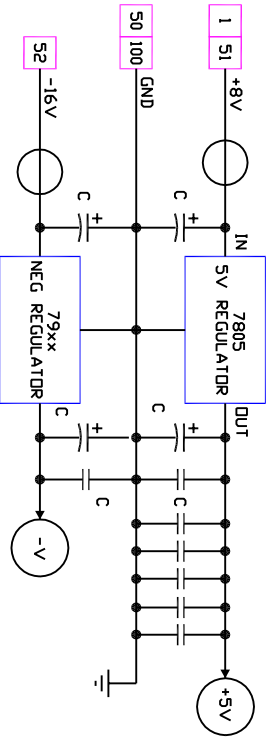


TEXT IN RED - WRITTEN ON COPPER SIDE
FOR EASY IDENTIFICATION OF PINS.

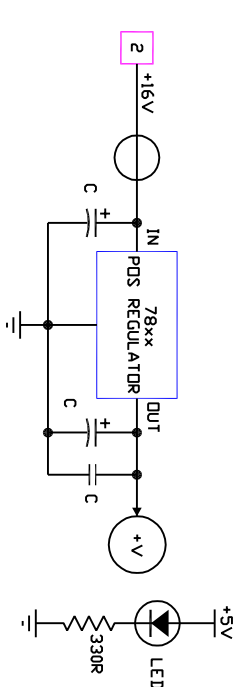


NOTE: ERROR IN LABELING,
THE INTE AND VA PINS ARE REVERSED

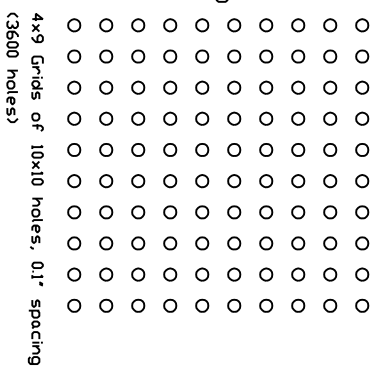
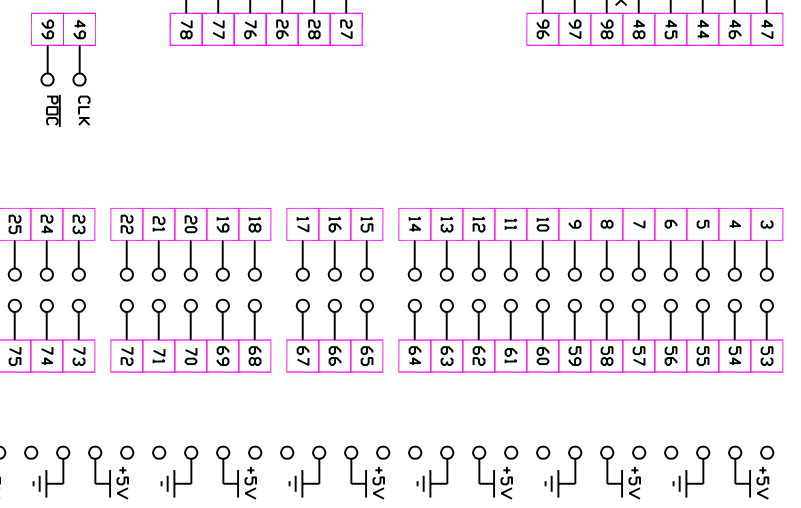


S-100 MINI BUFFERED SEA OF PTH

S-100 PROTOTYPING BOARD, WITH 5V REGULATOR & BUFFER CHIPS TO S-100 BUS
40x2 FREE HOLES, 57 OPTIONAL POWER HOLES, 46 OPTIONAL S-100 HOLES
OPTIONAL +V AND -V REGULATORS (OPTION TO CUT TRACES TO RECLAIM THESE HOLES)
DESIGN FROM NBVEM GROUP, IMPLEMENTED BY JOSH BENSADON, TORONTO CANADA, 2014



FUSIBLE LINK ON PCB



4x9 Grids of 10x10 holes, 0.1" spacing
(3600 holes)