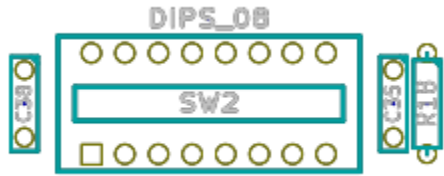


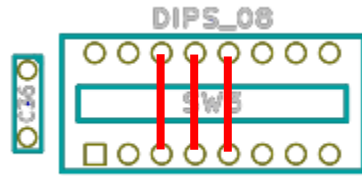
Setup for 70h base port. 70h = 0111 0000b

For use with unmodified Zapple monitor

Note: Jumper K5 2-3 for IA-1010 (only compare to lower 8 bits of address for I/O) so the IA-1010 8080 or Z80 I/O mode setting doesn't matter.



**SW2** - All OPEN/OFF  
Used for 16-bit port addresses



**SW3 (left to right)**  
SW3-1: OPEN/OFF.  
Daisy chain to SW2  
SW3-2: OPEN/OFF, A7  
SW3-3: **CLOSED/ON**, A6  
SW3-4: **CLOSED/ON**, A5  
SW3-3: **CLOSED/ON**, A4  
SW3-2: OPEN/OFF, A3  
SW3-1: OPEN/OFF, A2  
SW3-0: OPEN/OFF, A1

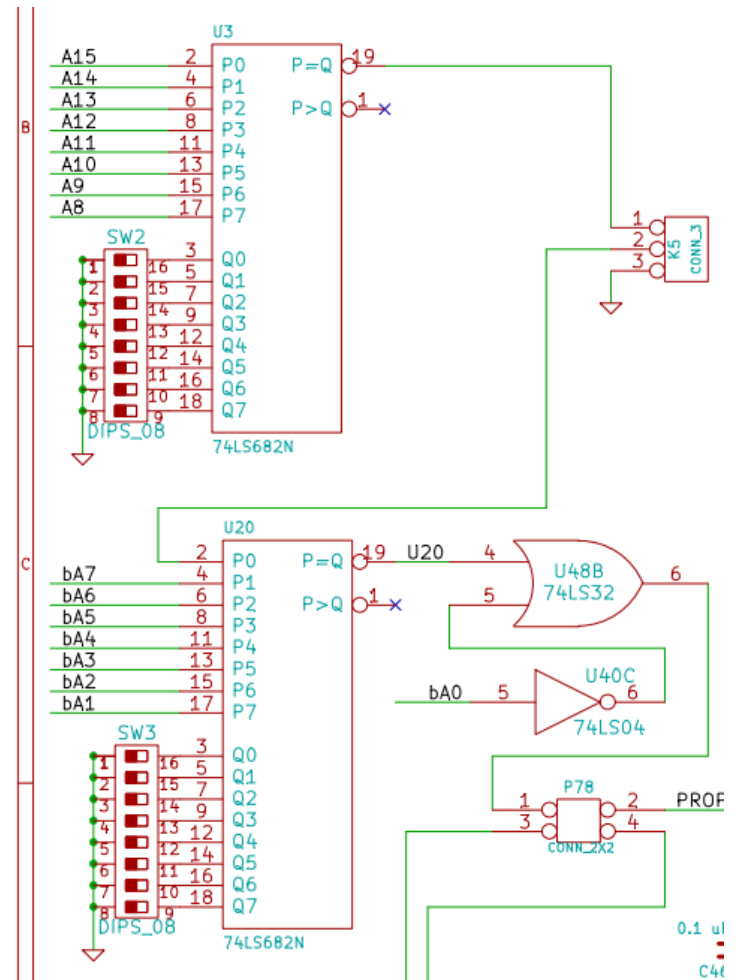
Zapple Source

```

-----
;
; -TELEPRINTER
;
0071      TTI      = 71H      ; DATA IN PORT
3071      TTO      = 71H      ; DATA OUT PORT
0070      TTS      = 70H      ; STATUS PORT (IN)
0001      TTYDA    = 1        ; DATA AVAILABLE MASK BIT
0002      TTYBE    = 02       ; XMTR BUFFER EMPTY MASK
;

```

## Schematic Section



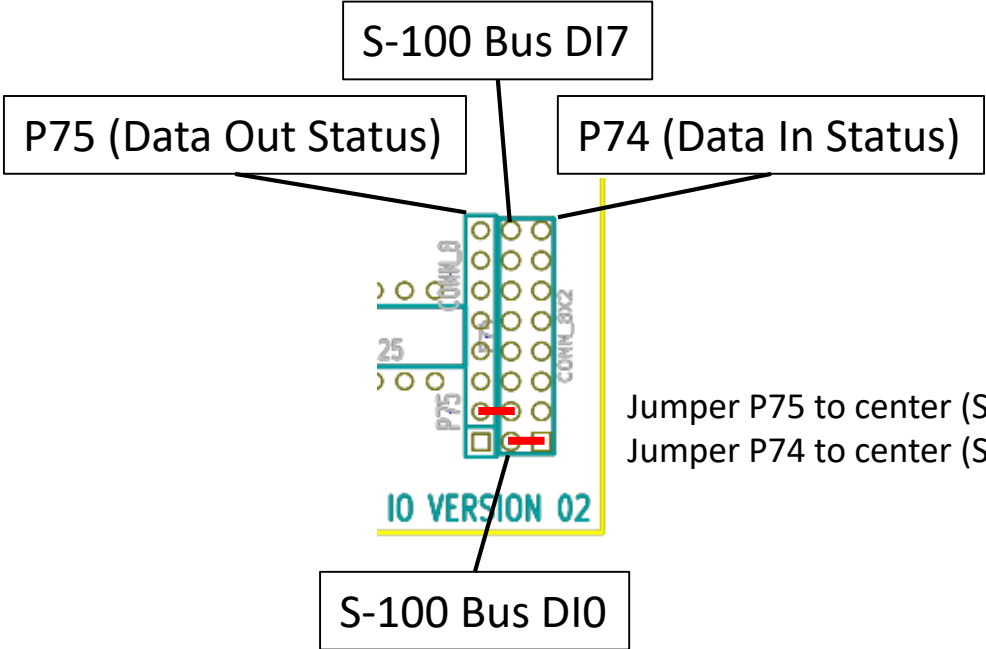
0.1 ul  
C4t

# Setup for mask bit location within status byte

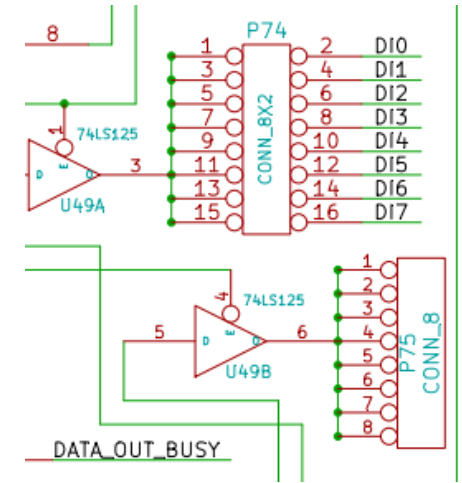
For use with unmodified Zapple monitor

Zapple Data available (Data In) mask bit = 1 = 0000 0001b

Zapple Transmitter buffer empty (Data Out) mask = 2 = 0000 0010b



# Schematic Section



Jumper P75 to center (S-100 DI1) to put Data Out status on bit 1  
Jumper P74 to center (S-100 DI0) to put Data In status on bit 0

# Zapple Source

```
-----  
;--TELEPRINTER  
;-----  
0071 TTI = 71H ;DATA IN PORT  
3071 TTD = 71H ;DATA OUT PORT  
0070 TTS = 70H ;STATUS PORT (IN)  
0001 TTYDA = 1 ;DATA AVAILABLE MASK BIT  
0002 TTYBE = 02 ;XMTR BUFFER EMPTY MASK  
;-----  
;
```

Setup for status bit sign (0 or 1 for ready)

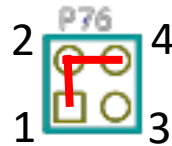
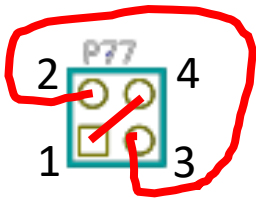
Zapple Data available (Data In busy) mask bit = 1 = 0000 0001b

For Data In Busy, want a '1'

Zapple Transmitter buffer empty (Data Out NOT busy) mask = 2 = 0000 0010b

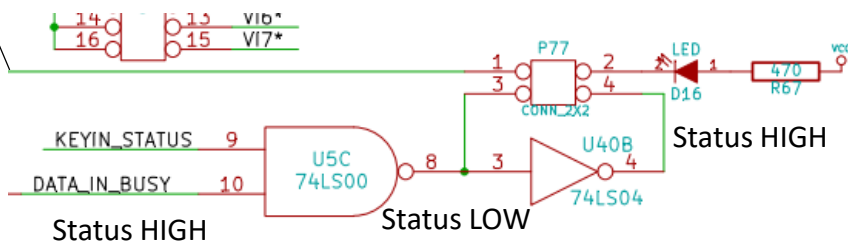
For Data Out Busy, want a '0'

Note: This is the same as the SD Systems board that John describes in his write-up

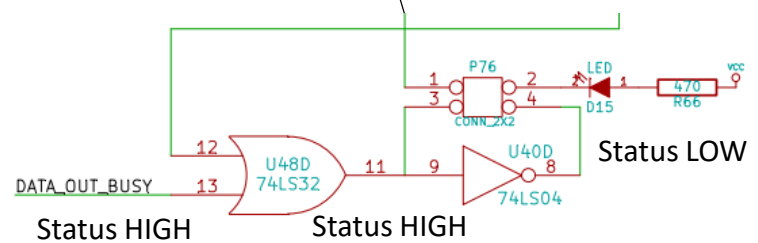


Schematic Section (note LEDs are connected to VCC so Pin 2 LOW will cause them to light)

Pin 1 goes to P74



Pin 1 goes to P75



Zapple Source

```
-----  
;--TELEPRINTER  
;-----  
0071 TTI = 71H ;DATA IN PORT  
0071 TTO = 71H ;DATA OUT PORT  
0070 TTS = 70H ;STATUS PORT (IN)  
0001 TTYDA = 1 ;DATA AVAILABLE MASK BIT  
0002 TTYBE = 02 ;XMTR BUFFER EMPTY MASK  
;-----
```