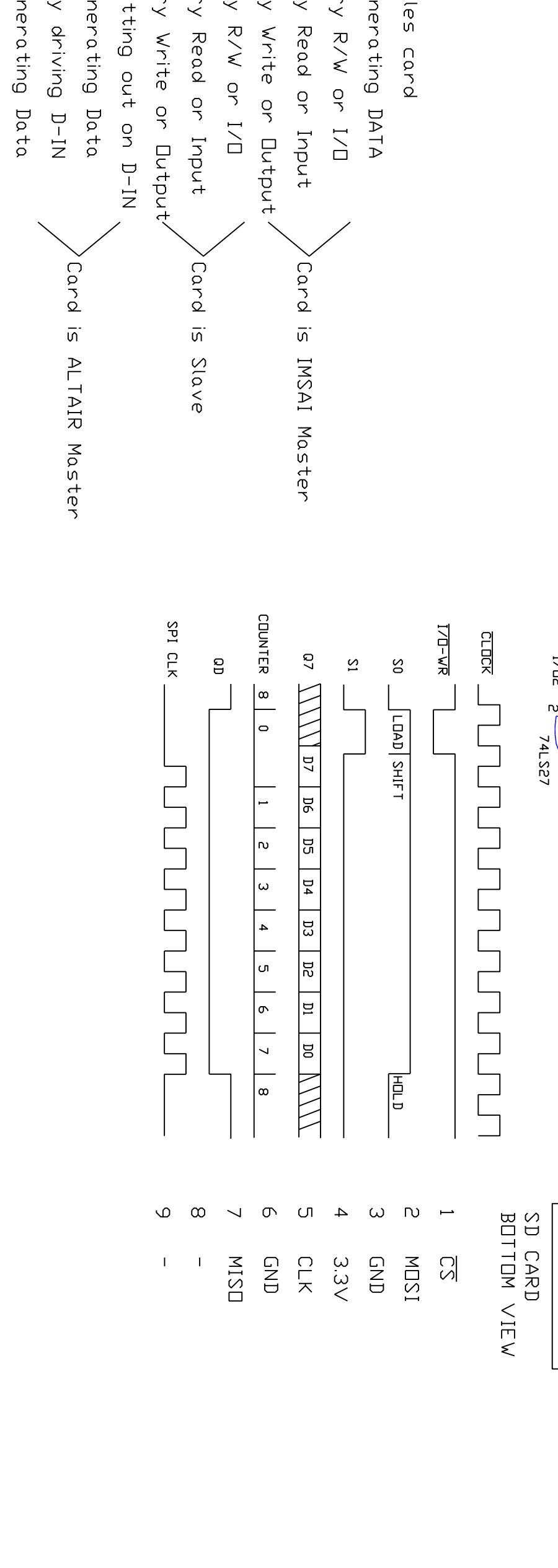
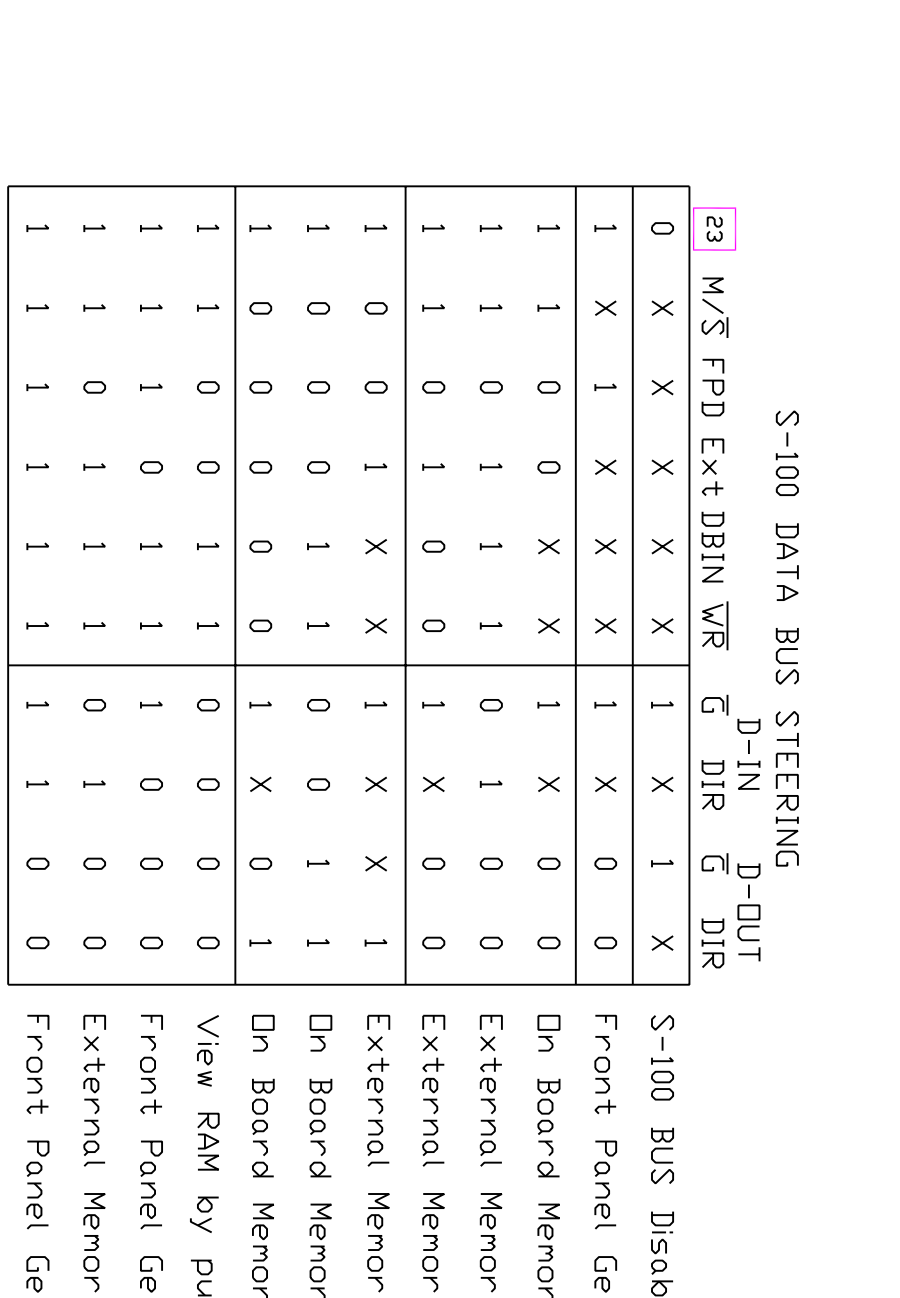
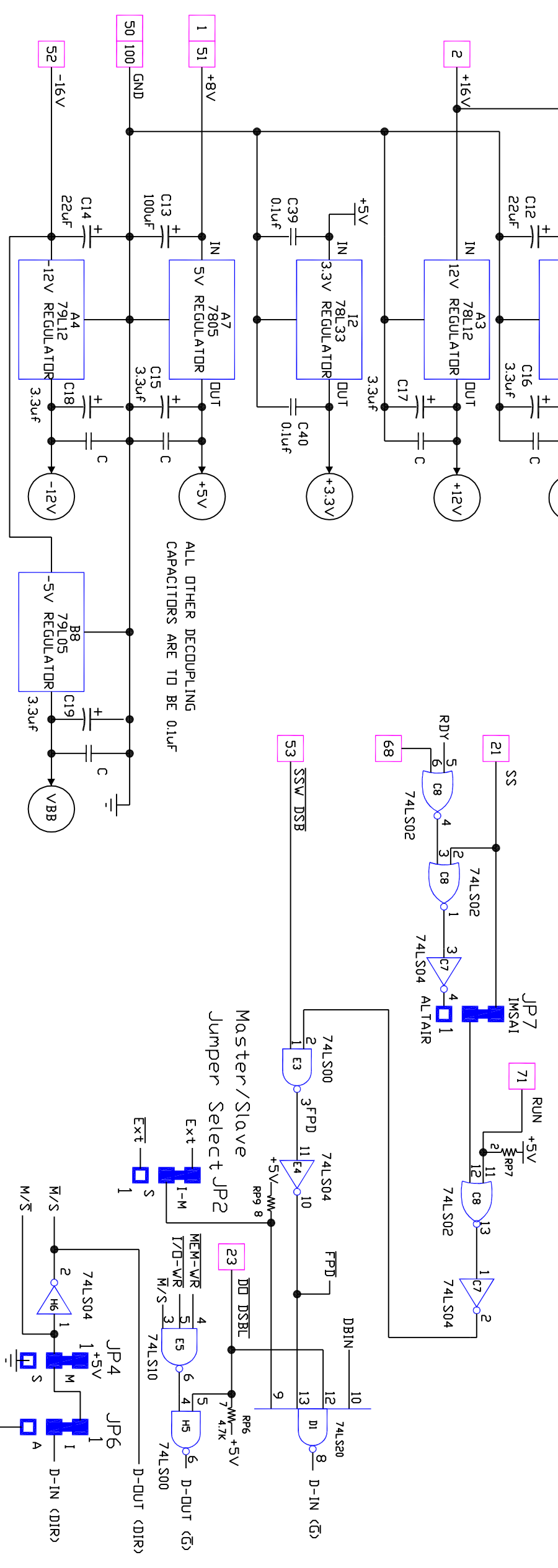
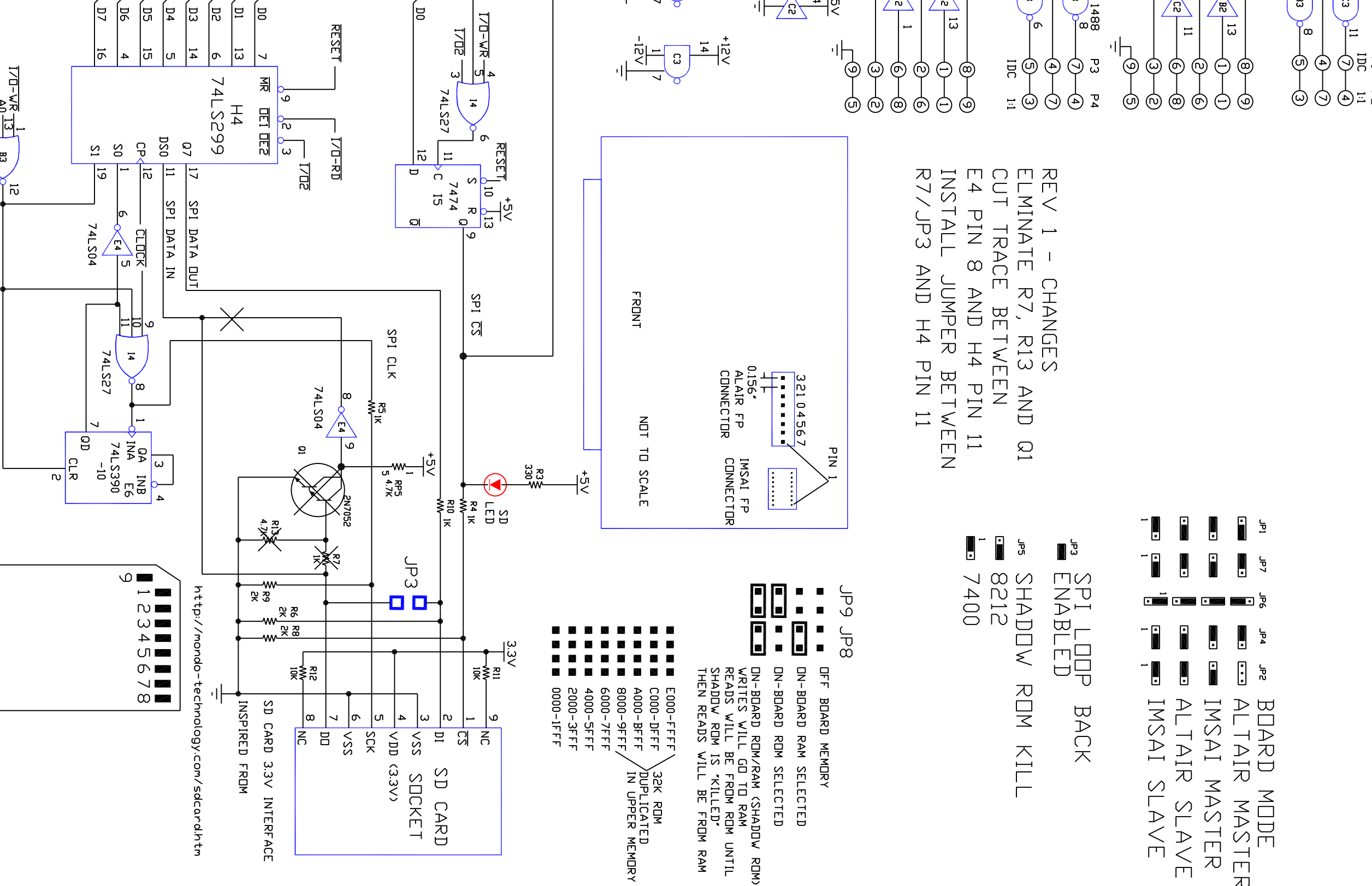
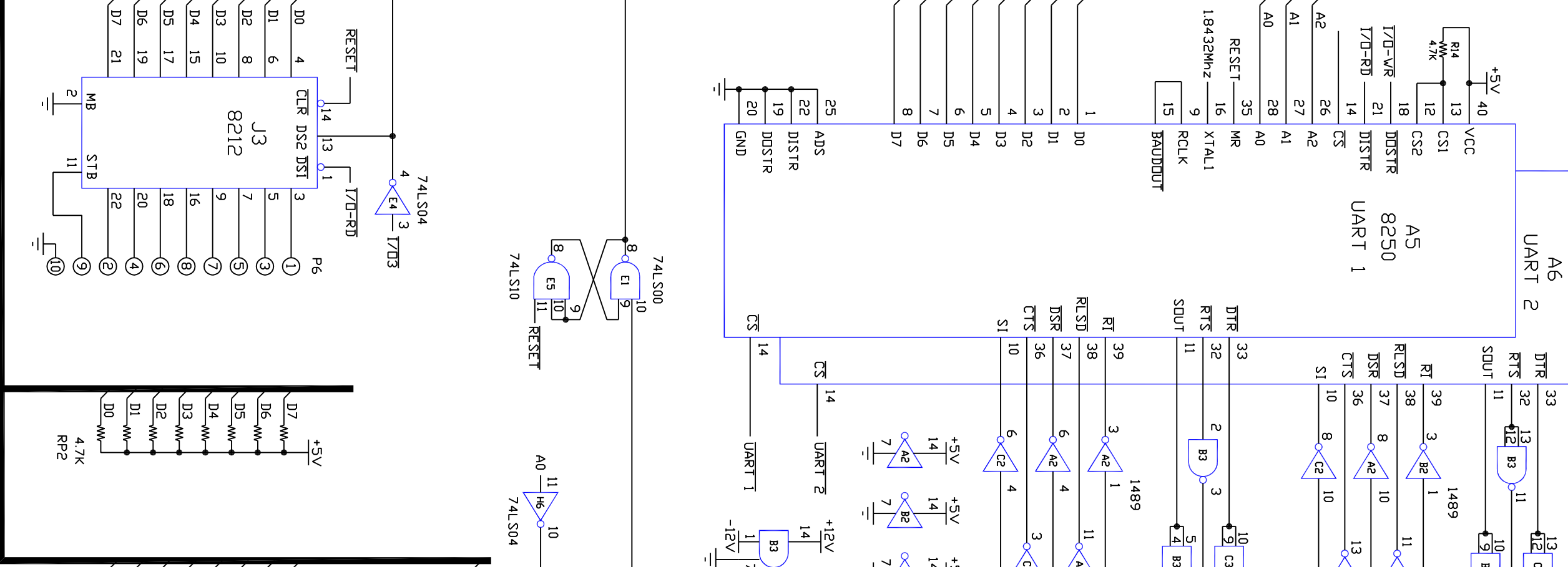
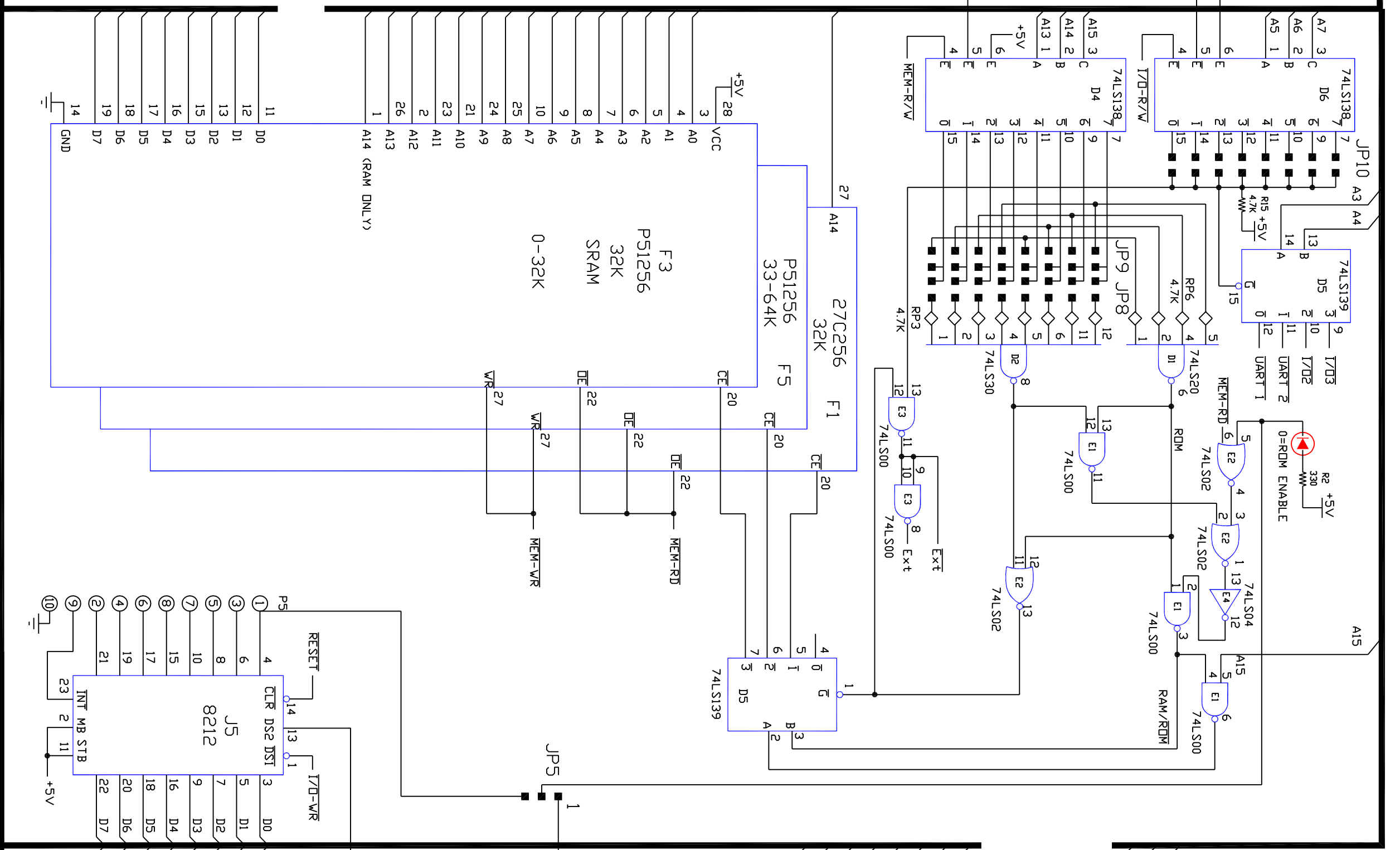
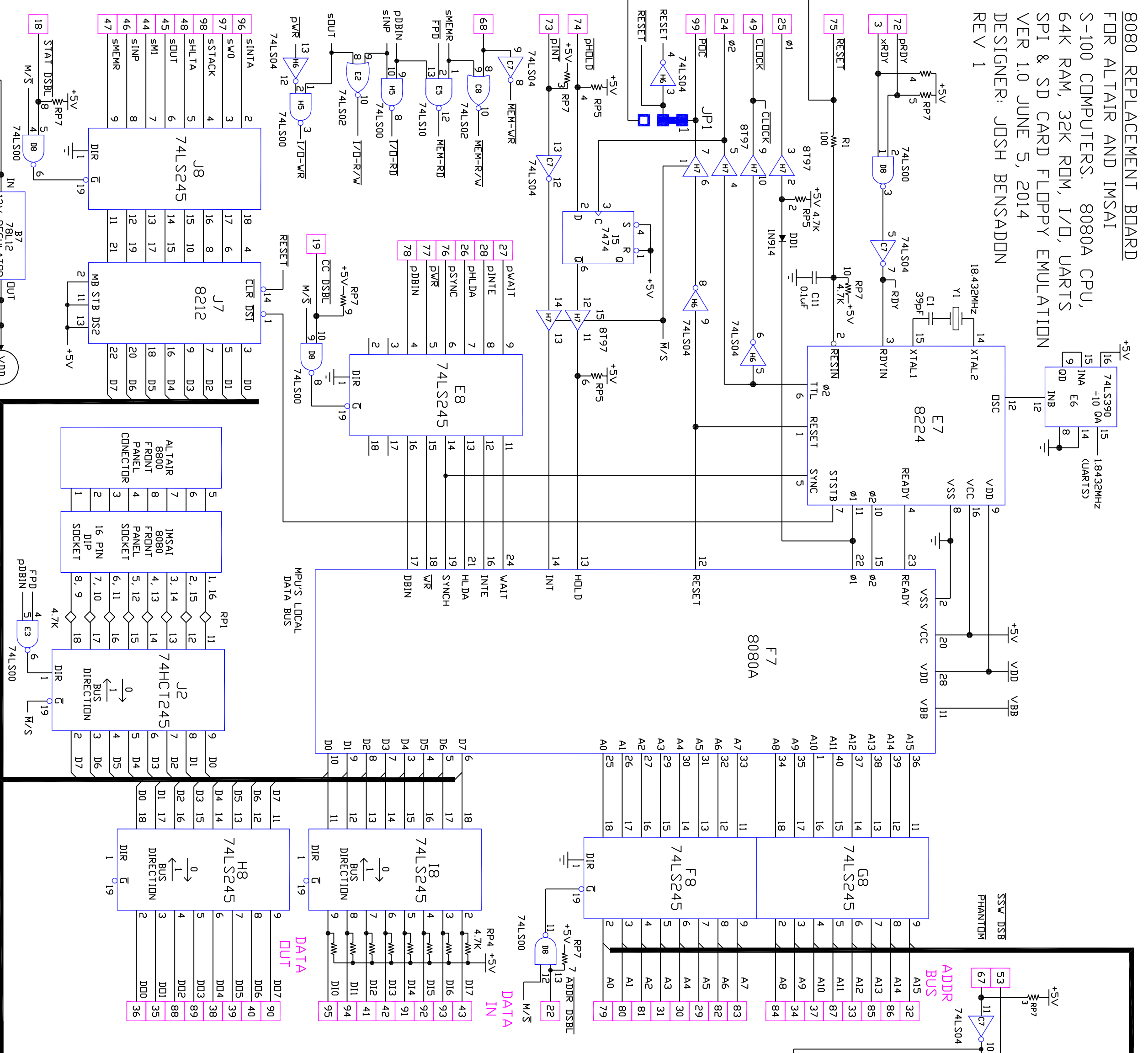


8080 REPLACEMENT BOARD
 FOR ALTAIR AND IMSAI
 S-100 COMPUTERS, 8080A CPU,
 64K RAM, 32K ROM, I/O, UARTS
 SPI & SD CARD FLOPPY EMULATION
 VER 1.0 JUNE 5, 2014
 DESIGNER: JOSH BENSADDON
 REV 1



SD CARD BOTTOM VIEW

1 CS
 2 MDSI
 3 GND
 4 3.3V
 5 CLK
 6 GND
 7 MISD
 8 -
 9 -

REV 1 - CHANGES
 ELIMINATE R7, R13 AND Q1
 CUT TRACE BETWEEN
 E4 PIN 8 AND H4 PIN 11
 INSTALL JUMPER BETWEEN
 R7/JP3 AND H4 PIN 11

- JP9 JP8**
- OFF BOARD MEMORY
 - ON-BOARD MEMORY
 - ON-BOARD ROM SELECTED
 - ON-BOARD ROM (SHADOW ROM) WRITES WILL GO TO RAM
 - SHADOW ROM KILL
 - ENABLED
 - 8212
 - 7400
- JP9 JP8**
- OFF BOARD MEMORY
 - ON-BOARD MEMORY
 - ON-BOARD ROM SELECTED
 - ON-BOARD ROM (SHADOW ROM) WRITES WILL GO TO RAM
 - SHADOW ROM KILL
 - ENABLED
 - 8212
 - 7400

- SD CARD 3.3V INTERFACE**
- 9 NC
 - 8 VSS
 - 7 VDD (3.3V)
 - 6 SCK
 - 5 VSS
 - 4 VDD (3.3V)
 - 3 VSS SOCKET
 - 2 DI
 - 1 CS
- SD CARD 3.3V INTERFACE
 INSPIRED FROM
<http://nondot-technology.com/sdcards.htm>