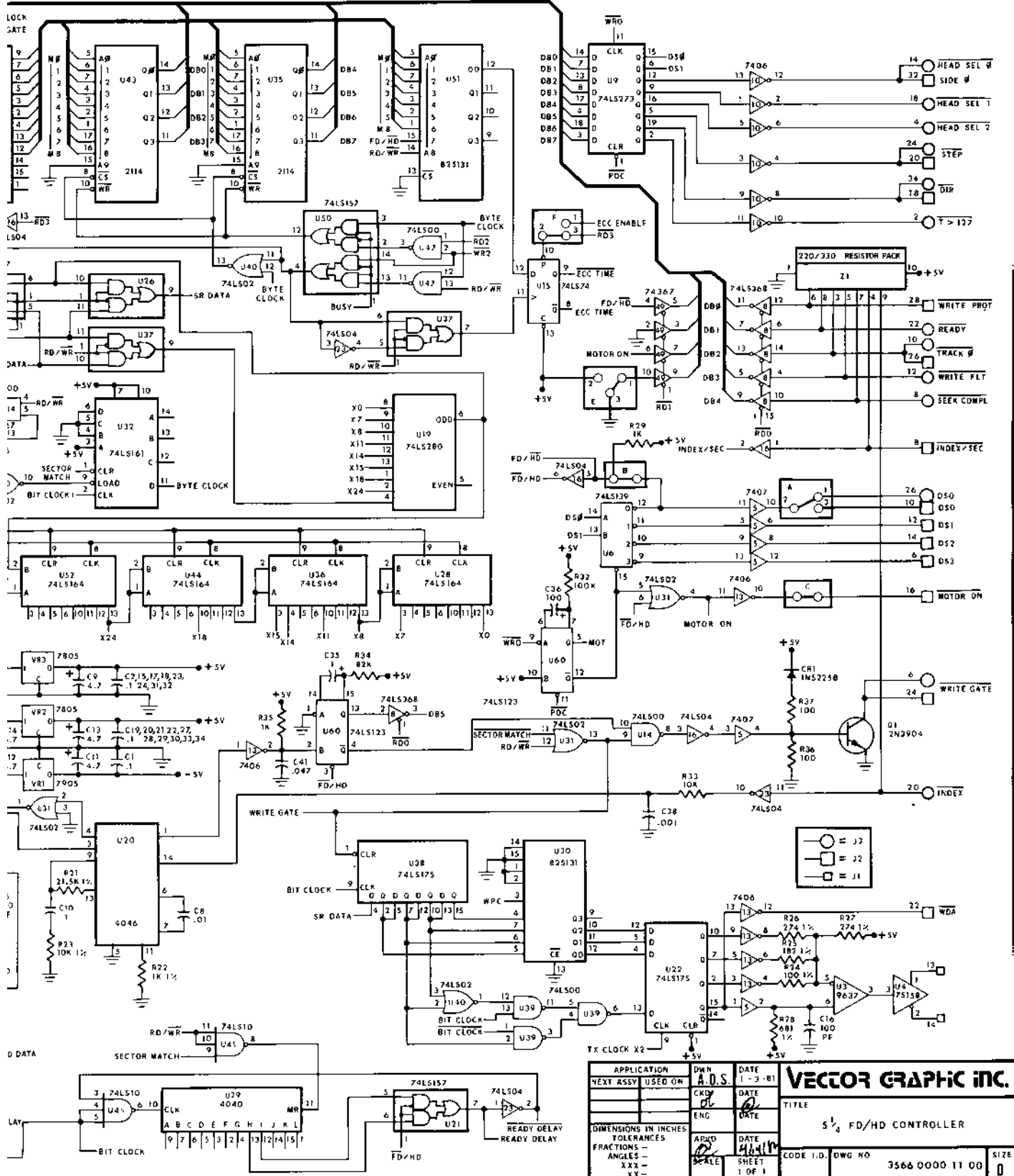


AI	TX CLO1
1	74LS04
2	74LS04
3	74LS04
4	74LS04
5	74LS04
6	74LS04
7	74LS04
8	74LS04
9	74LS04
10	74LS04
11	74LS04
12	74LS04
13	74LS04
14	74LS04
15	74LS04
16	74LS04
17	74LS04
18	74LS04
19	74LS04
20	74LS04
21	74LS04
22	74LS04
23	74LS04
24	74LS04
25	74LS04
26	74LS04
27	74LS04
28	74LS04
29	74LS04
30	74LS04
31	74LS04
32	74LS04
33	74LS04
34	74LS04
35	74LS04
36	74LS04
37	74LS04
38	74LS04
39	74LS04
40	74LS04
41	74LS04
42	74LS04
43	74LS04
44	74LS04
45	74LS04
46	74LS04
47	74LS04
48	74LS04
49	74LS04
50	74LS04
51	74LS04
52	74LS04
53	74LS04
54	74LS04
55	74LS04
56	74LS04
57	74LS04
58	74LS04
59	74LS04
60	74LS04
61	74LS04
62	74LS04
63	74LS04
64	74LS04
65	74LS04
66	74LS04
67	74LS04
68	74LS04
69	74LS04
70	74LS04
71	74LS04
72	74LS04
73	74LS04
74	74LS04
75	74LS04
76	74LS04
77	74LS04
78	74LS04
79	74LS04
80	74LS04
81	74LS04
82	74LS04
83	74LS04
84	74LS04
85	74LS04
86	74LS04
87	74LS04
88	74LS04
89	74LS04
90	74LS04
91	74LS04
92	74LS04
93	74LS04
94	74LS04
95	74LS04
96	74LS04
97	74LS04
98	74LS04
99	74LS04
100	74LS04

ECR	REV	DESCRIPTION	DATE	APPD
580	10	MINOR CIRCUIT CHANGE UPDATE TO SUIT 8088	2-4-82	[Signature]
694	11		4-11-82	



APPLICATION	DWN	DATE	VECTOR GRAPHIC INC.
NEXT ASSY USED ON	A.D.S.	1 - 3 - 81	
CHKD	DATE		
ENG	DATE		TITLE
DIMENSIONS IN INCHES			5 1/4 FD/HD CONTROLLER
TOLERANCES			
FRACTIONS			
ANGLES -			
XXX -			
XX -			
APRD	DATE		CODE I.D. DWG NO
SCALE	SHEET	1 OF 1	3566 0000 11 00
			SIZE
			D