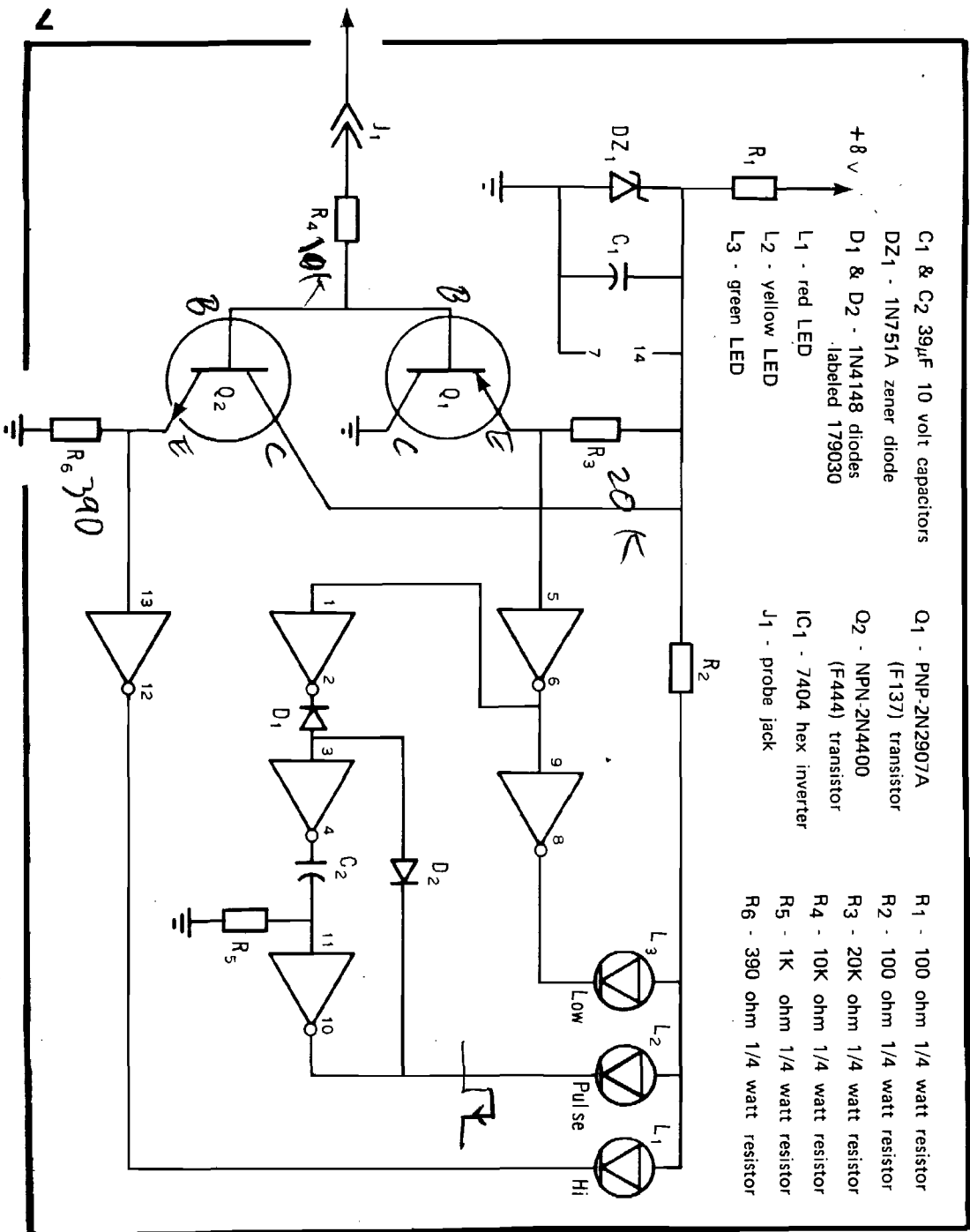


PARTS LIST FOR EXTENDER/LOGIC PROBE KIT

- Printed circuit board
- Kapton insulating tape
- Edge connector, 50-pin dual readout
- DZ1 - 1N751A zener diode
- D1 & D2 - 1N4148 diodes, labeled 179030
- R1 - 100 ohm 1/4 watt resistor — brown black bro
- R2 - 100 ohm 1/4 watt resistor — brown black bro
- R3 - 20K ohm 1/4 watt resistor — red black orange
- R4 - 10K ohm 1/4 watt resistor — brown black ora
- R5 - 1K ohm 1/4 watt resistor — brown black red
- R6 - 390 ohm 1/4 watt resistor — orange white bro
- IC socket
- L1 - red LED
- L2 - yellow LED
- L3 - green LED
- J1 - probe jack
- Q1 - PNP-2N2907A (F137) transistor
- Q2 - NPN-2N4400 (F444) transistor
- C1 & C2 - 39 μ F 10 volt capacitors
- 3 jumper links and 6 screws
- IC1 - 7404 hex inverter
- Edge connector label
- Logic probe kit with tip, wire, and probe



SCHMATIC OF EXTENDER/LOGIC PROBE BOARD